
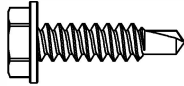

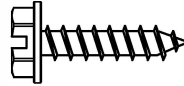
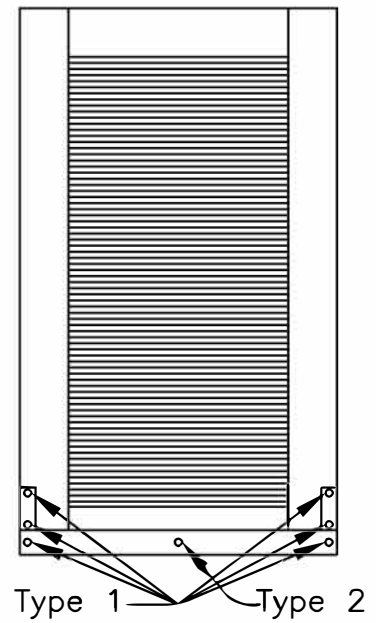
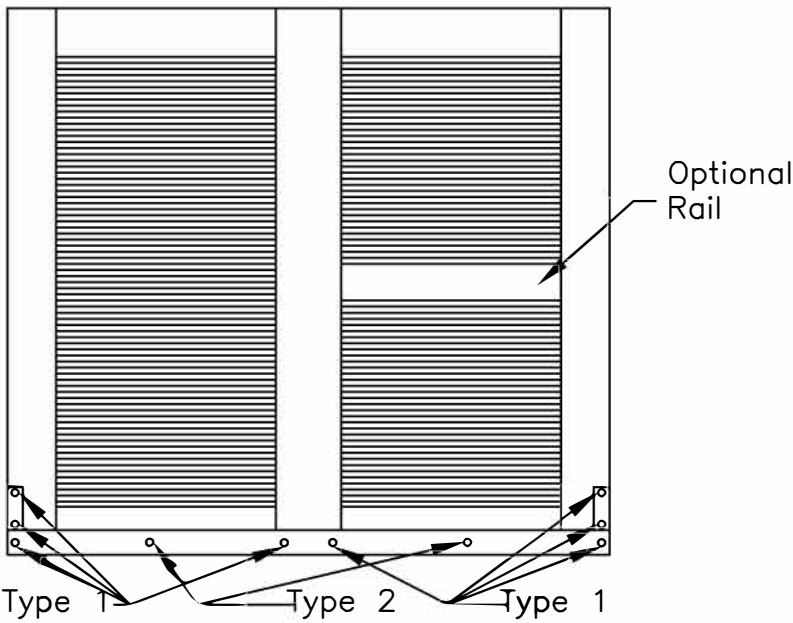


# Fastener Schedule for Non-Impact Bahamas

<p>Type 1</p> <ul style="list-style-type: none"> <li>#10 x 3/4" Self Tapping Indented Hex Head, 18-8SS</li> <li>5/16" Nut Driver</li> <li>Qty: 8 or more per opening</li> </ul>  	<p>Type 2</p> <ul style="list-style-type: none"> <li>#10 x 3/4" Self Tapping Indented Hex Head, 18-8SS</li> <li>5/16" Nut Driver</li> <li>Qty: 8 or more per opening</li> </ul>  
---	--

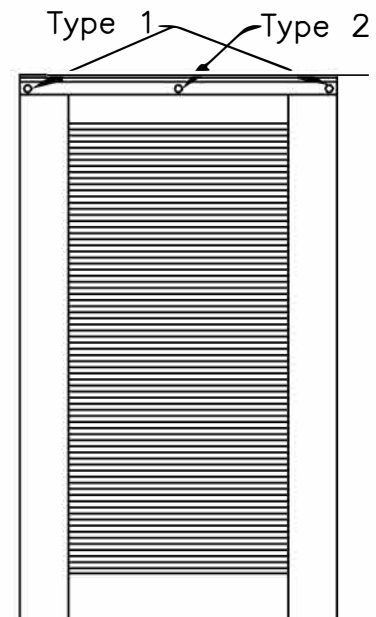
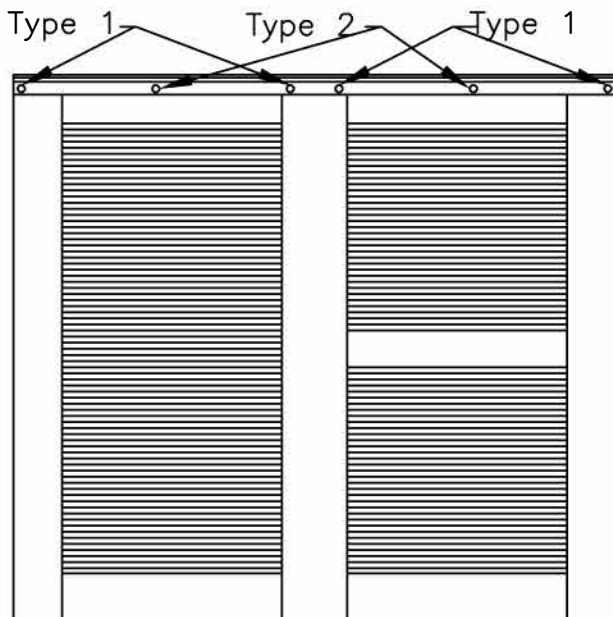
Bahama w/ Vertical Mullion (typ.)  
(back)

Bahama w/o Vertical Mullion (typ.)  
(back)



Bahama w/ Vertical Mullion (typ.)  
(front)

Bahama w/o Vertical Mullion (typ.)  
(front)



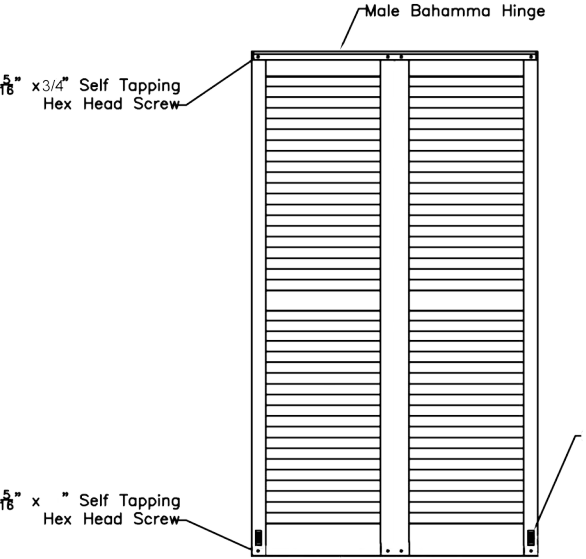


Figure 1

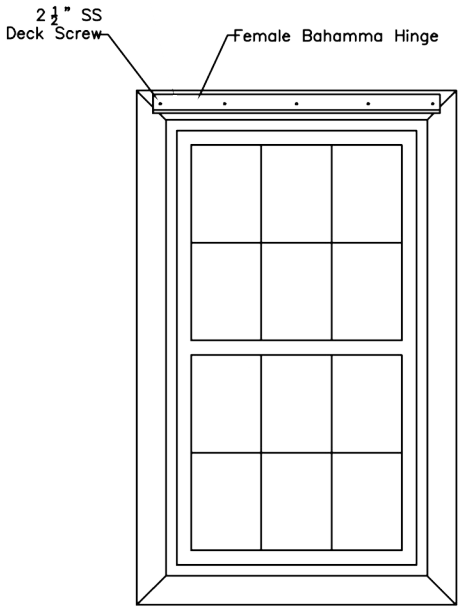


Figure 2

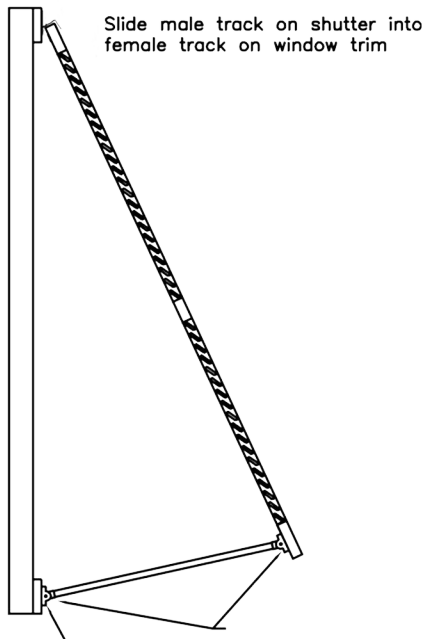
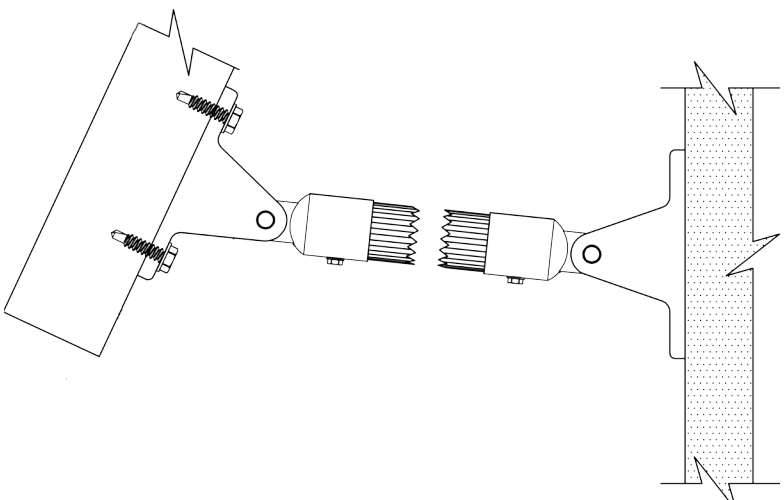
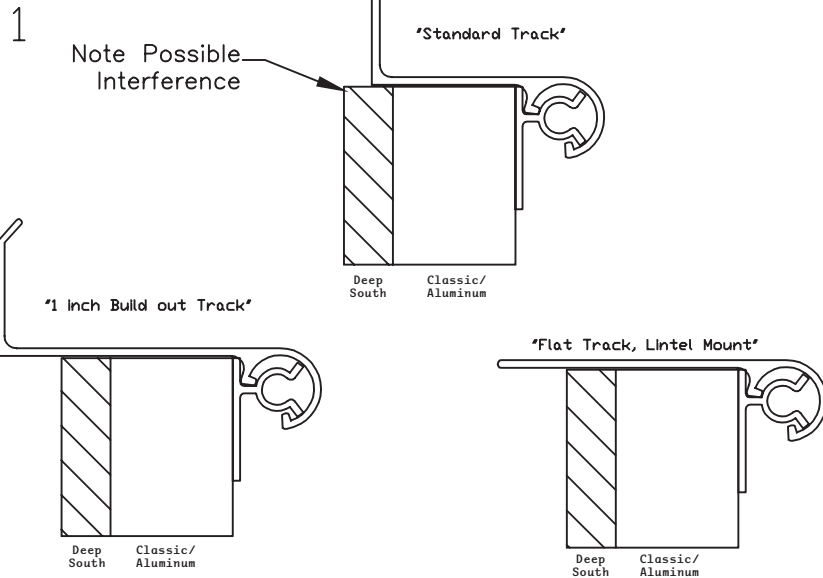


Figure 3



SS Deck Screws w/

Figure 1



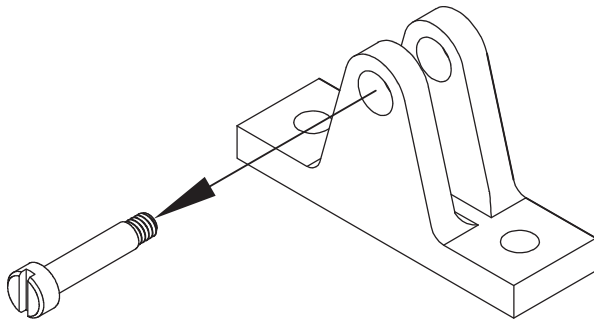
Inventory female track and verify placement of male track on shutters. See above for mounting configurations. Male track goes on face of shutter.  
(shutter thickness shown for reference)

Figure 2

Embed Schedule	
Substrate	Recommended Anchor
Wood	#10 Deck Screw or Equivalent (2" or greater embed into Structure required)
Concrete	#10 Tapcon (1 3/4" or greater embed required)
Brick (Solid)	#10 Tapcon (1 3/4" or greater embed required)
Brick (Hollow, non Structural)	Holes must be thru drilled to access Structural Substrate
Block (Hollow, Structural)	#10 Epoxy Concrete Anchors of appropriate length, Toggles or Tapcons also acceptable

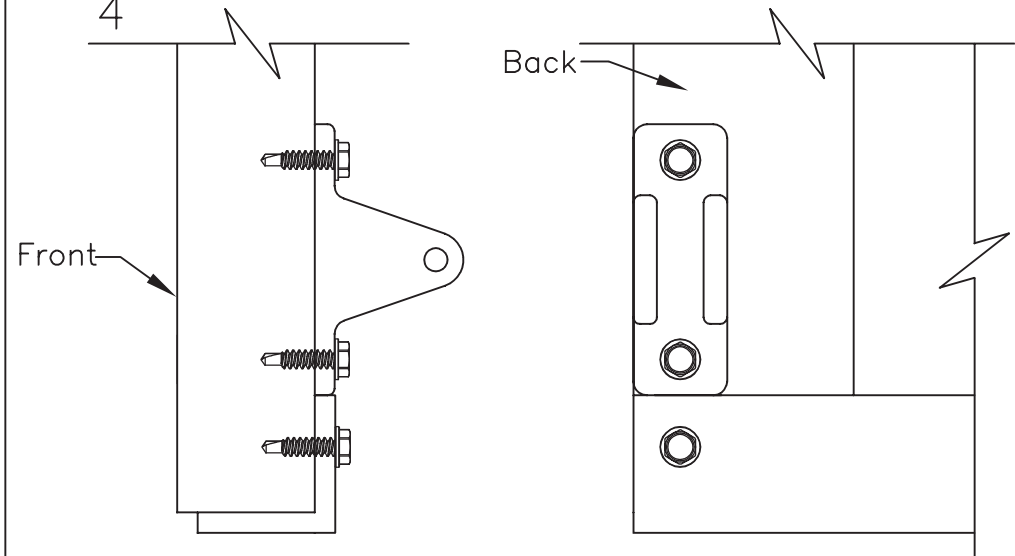
Using the schedule above, select appropriate fastener for female hinge. Pre-drill holes in female hinge on 8" centers (minimum).

Figure 3



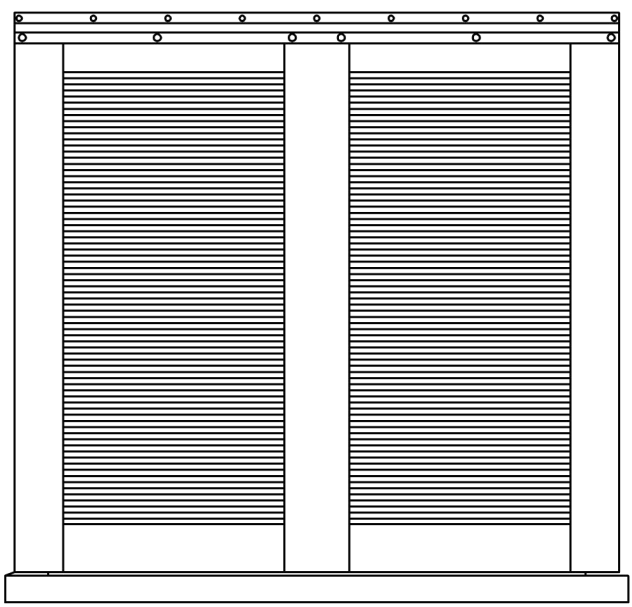
Discard retaining screw if included with deck hinges.

Figure 4



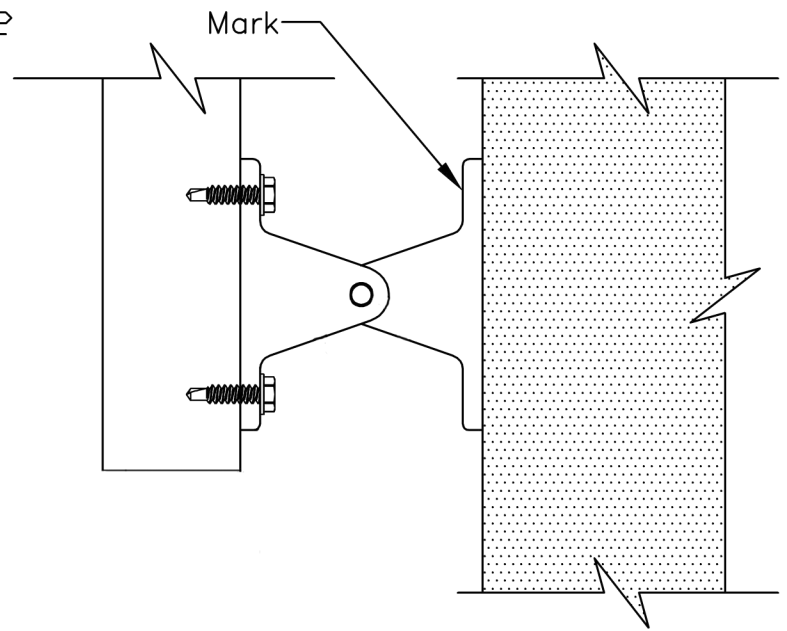
Secure deck hinges on back of shutter with Type 1 fasteners. Be sure to place deck hinges so that mating hinges on building are mounted to structural substrate. Also consider ease of use and access when closing.

Figure 5



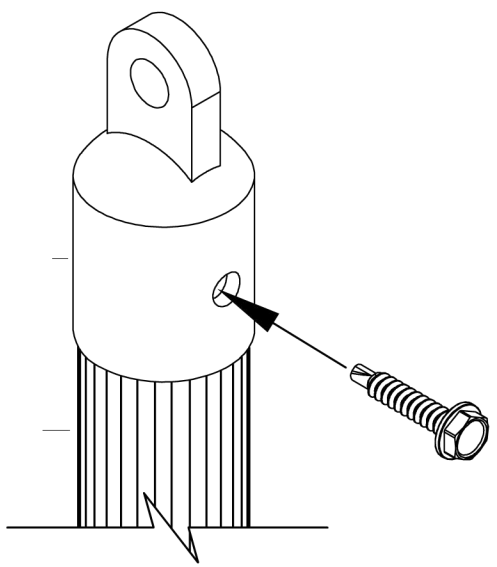
Slide female top track on to male track, place and center shutter in opening. Use shims under shutter to set sill gap then secure top track to building.

Figure 6



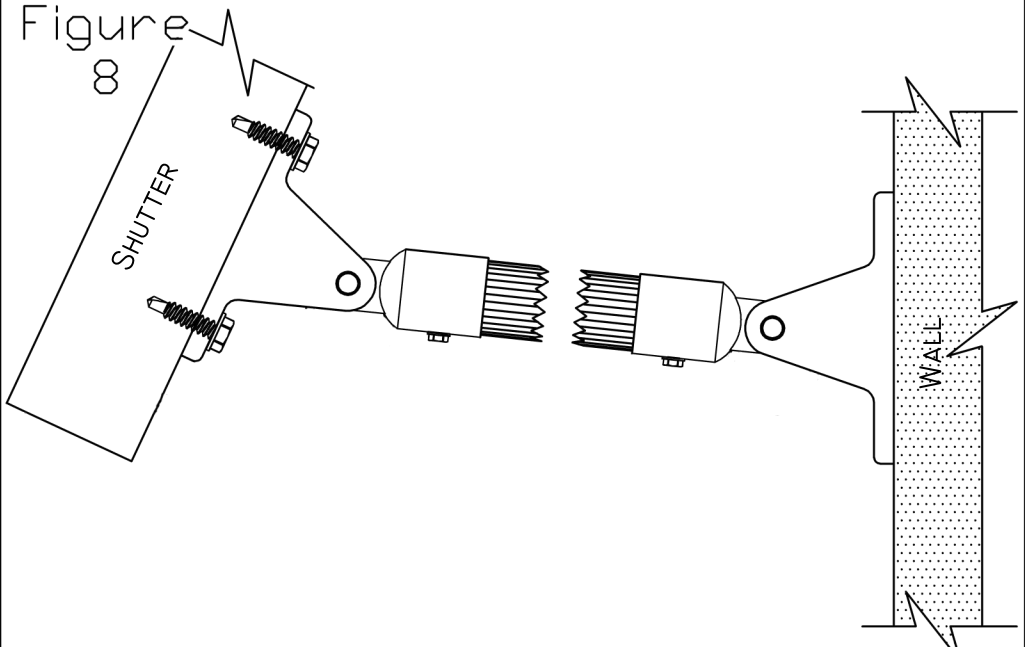
Secure building side deck hinge with detent pin as shown and close shutter. Mark location of deck hinge holes on building. Open shutter, remove deck hinge and secure to building with appropriate fastener from embed schedule.

Figure 7



Discard set screws if included in rod end. Insert serrated tubing into one rod end and secure with type 4 screw. Secure rod and the second rod end to deck hinges with screws supplied. Align second rod end and secure.

Figure 8



Fasten "building side". Verify shutter operation. Ensure screws are inserted from the center of the opening out so the screws are accessible from inside the building